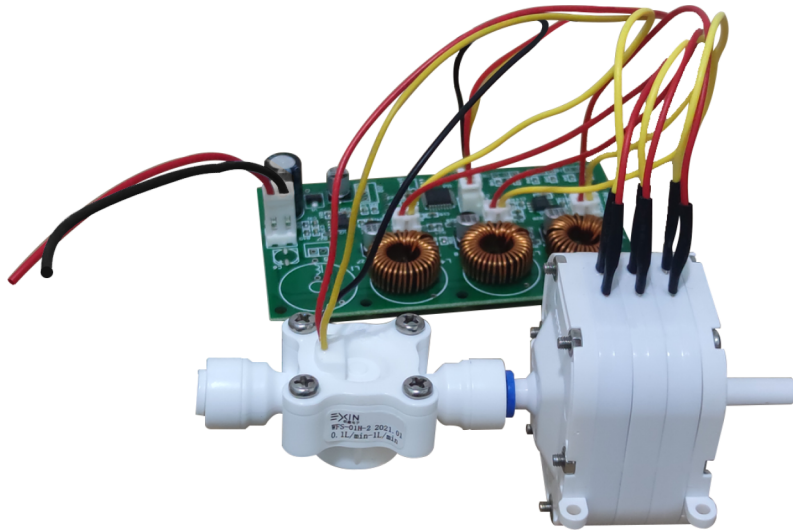
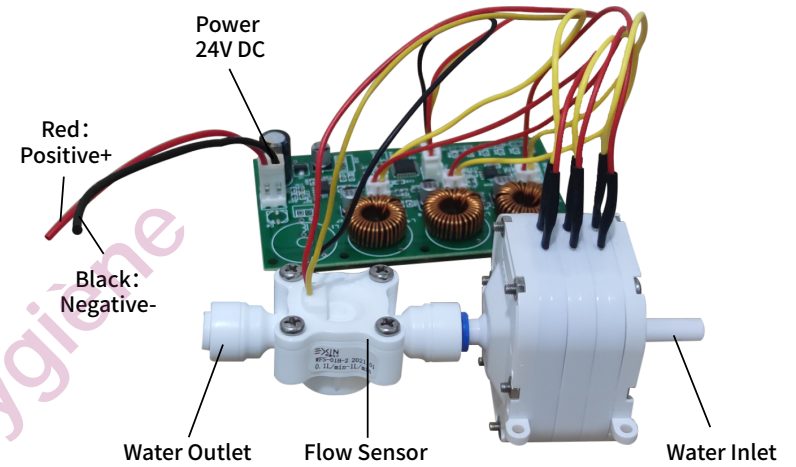


KIT OXY O3



Structure:



Specification:

Product Name	Ozone Generator	Model	W101C
Size	75.3*59.8*61.9mm	Net Weight	0.887KG
Voltage	DC 24V	Power Rating	150W
Water Temperature	4-40°C	Water Quality	TDS:< 200ppm
Water Flow	0.3-2.0L/min	Water Pressure	≤0.4MPA

How To Use:

1. Connect the water inlet and outlet;
2. Turn on the water (0.3-2.0L/min)
3. Connect the input end of the product to DC (24VDC), the device will run automatically

Attention:

1. Do not electrify the ozone water generator in anhydrous state.
2. Do not use water with solids content > 200ppm.
3. Do not allow water flow > 2L/min.
4. Do not apply pressure > 0.8Mpa.
5. It is forbidden to reverse the positive and negative poles.
6. Prohibit the use of reverse water flow